

DATA SHEET

SKYA21054: Automotive 0.4 to 2.7 GHz SP8T MIPI Diversity Switch

Applications

- 2G/3G/4G/4G LTE, 4G LTE-A
- Embedded cellular telematics modules
- OBD-II cellular modems

Features

- High isolation and linearity
- Broadband frequency range: 0.4 to 2.7 GHz
- Integrated MIPI interface
- Automotive Level-3 PPAP available upon request
- IMDS material declaration available at production release
- Extended production life to support automotive requirements
- Independent BOM management to minimize PCN risk
- Extended operating temperature, -40 °C to +105 °C Tc
- Small QFN (20-pin, 2.5 x 2.5 x 0.75 mm) package (MSL1, 260 °C per JEDEC J-STD-020)



Skyworks Green™ products are compliant with all applicable legislation and are halogen-free. For additional information, refer to *Skyworks Definition of Green™*, document number SQ04-0074.

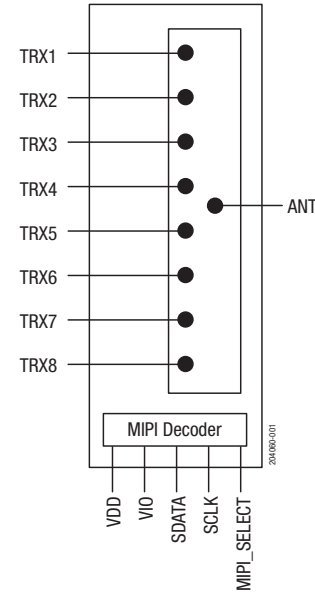


Figure 1. SKYA21054 Block Diagram

Description

The SKYA21054 is a single-pole, eight-throw (SP8T) antenna switch with an integrated Mobile Industry Processor Interface (MIPI) controller. Using an advanced switching technology, the SKYA21054 maintains low insertion loss and high isolation, which makes it an ideal choice for UMTS, CDMA2000, EDGE, GSM, and LTE applications.

The design features eight linear TRX ports. The switch has an excellent triple beat ratio and second/third order intermodulation distortion (IMD2/IMD3) performance.

Switching is controlled by the MIPI decoder. There is an external MIPI select pin that enables how the switch responds to power mode triggers. When this pin is grounded, the switch responds to any of the power mode triggers. When this pin is left open, the switch responds to individual power mode triggers. No external DC blocking capacitors are required on the RF paths as long as no DC voltage is applied.

The SKYA21054 is manufactured in a compact, 2.5 x 2.5 x 0.75 mm, 20-pin surface-mount Quad Flat No-Lead (QFN) package. A functional block diagram is shown in Figure 1. The pin configuration and package are shown in Figure 2. Signal pin assignments and functional pin descriptions are provided in Table 1.

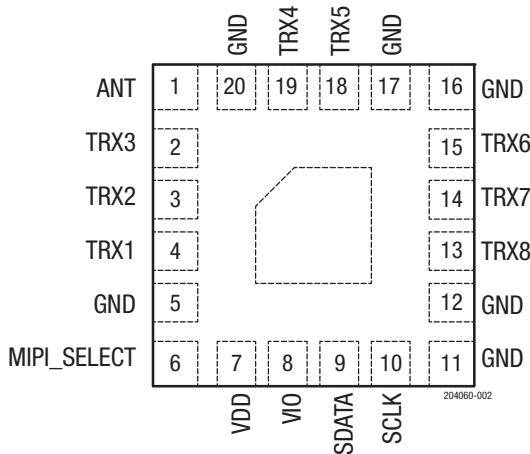


Figure 2. SKYA21054 Pinout (Top View)

Table 1. SKYA21054 Signal Descriptions¹

Pin	Name	Description	Pin	Name	Description
1	ANT	Antenna port.	11	GND	Ground.
2	TRX3	Transmit/receive port 3. This pin is either connected directly to or is disconnected from pin 1, depending on the applied control data.	12	GND or N/C	Ground or no connection.
3	TRX2	Transmit/receive port 2. This pin is either connected directly to or is disconnected from pin 1, depending on the applied control data.	13	TRX8	Transmit/receive port 8. Can also be used for GSM power level. This pin is either connected directly to or is disconnected from pin 1, depending on the applied control data.
4	TRX1	Transmit/receive port 1. This pin is either connected directly to or is disconnected from pin 1, depending on the applied control data.	14	TRX7	Transmit/receive port 7. This pin is either connected directly to or is disconnected from pin 1, depending on the applied control data.
5	GND	Ground.	15	TRX6	Transmit/receive port 6. This pin is either connected directly to or is disconnected from pin 1, depending on the applied control data.
6	MIPI_SELECT	MIPI interface select. When this pin is grounded, the switch responds to any of the power mode triggers. When this pin is left open, the switch is RFFE MIPI compliant and responds to individual power mode triggers.	16	GND or N/C	Ground or no connection.
7	VDD	DC power supply.	17	GND	Ground.
8	VIO	MIPI decoder enable/reference voltage.	18	TRX5	Transmit/receive port 5, can also be used for GSM power level. This pin is either connected directly to or is disconnected from pin 1, depending on the applied control data.
9	SDATA	Data input/output.	19	TRX4	Transmit/receive port 4, can also be used for GSM power level. This pin is either connected directly to or is disconnected from pin 1, depending on the applied control data.
10	SCLK	Clock signal.	20	GND	Ground.

¹ Bottom ground paddles must be connected to ground.

Electrical and Mechanical Specifications

The absolute maximum ratings of the SKYA21054 are provided in Table 2. Table 3 provides the recommended operating conditions. Electrical specifications are provided in Table 4.

IMD2 and IMD3 test conditions for various frequencies are listed in Tables 5 and 6, respectively.

Triple beat ratio (TBR) test conditions for bands 2 and 5 are listed in Table 7.

Figure 3 illustrates the test setup used to measure intermodulation products. This industry standardized test is used to simulate the WCDMA Band 1 linearity of the antenna switch. A +20 dBm continuous wave (CW) signal, f_{FUND} , is sequentially applied to all TRX ports, while a -15 dBm CW blocker signal, f_{BLK} , is applied to the ANT port.

The resulting third order intermodulation distortion (IMD3), f_{RX} , is measured over all phases of f_{FUND} . The SKYA21054 exhibits exceptional performance for all TRXx ports.

Figures 4 and 5 provide the timing diagrams for register write commands and read commands, respectively.

Table 8 provides the insertion loss and return loss matrix. Table 9 shows the isolation matrix for ANT to OFF arms. Table 10 shows the isolation matrix for ON to OFF arms.

Table 11 describes the register content and programming read/write sequences. Refer to the *MIPI Alliance Specification for RF Front-End Control Interface (RFFE)*, v1.10 (26 July 2011) for additional information on MIPI programming sequences and MIPI bus specifications.

Table 12 provides the Register_0 logic. Table 13 describes the register parameters and bit values.

Table 2. SKYA21054 Absolute Maximum Ratings¹

Parameter	Symbol	Min	Typ	Max	Units
Supply voltage	V _{DD}	2.5		5.0	V
MIPI decoder enable/reference voltage	V _{IO}			2	V
Clock signal voltage	SCLK			V _{IO}	V
Data signal voltage	SDATA			V _{IO}	V
RF input power:	P _{IN}				
TRX4				+36	dBm
TRX5, TRX8				+34	dBm
Other TRXx arms				+31	dBm
Ambient temperature ranges:					
Operating	T _A ²	-40	+25	+95	°C
Storage	T _{STG}	-40		+150	°C
Electrostatic discharge:	ESD				
Charged Device Model (CDM), Class C3				1000	V
Human Body Model (HBM), Class 1B				500	V

¹ Exposure to maximum rating conditions for extended periods may reduce device reliability. There is no damage to device with only one parameter set at the limit and all other parameters set at or below their nominal value. Exceeding any of the limits listed here may result in permanent damage to the device.

² In all cases, ambient operating temperature (TA) is specified relative to case temperature (Tc) and assumes TA = (Tc - 10 °C). Case temperature (Tc) refers to the temperature of the ground pad at the underside of the package.

ESD HANDLING: *Although this device is designed to be as robust as possible, electrostatic discharge (ESD) can damage this device. This device must be protected at all times from ESD when handling or transporting. Static charges may easily produce potentials of several kilovolts on the human body or equipment, which can discharge without detection. Industry-standard ESD handling precautions should be used at all times.*

Table 3. SKYA21054 Recommended Operating Conditions¹
(V_{DD} = 2.85 V, T_{OP} = +25 °C, Characteristic Impedance [Z₀] = 50 Ω, Unless Otherwise Noted)

Parameter	Symbol	Test Condition	Min	Typ	Max	Units
Supply voltage	V _{DD}		2.50	2.85	4.8	V
Supply current, active mode	I _{DD}			45	80	μA
Interface supply voltage	V _{IO}		1.65	1.80	1.95	V
Interface signal: High Low	SDATA		0.8 × V _{IO}		0.2 × V _{IO}	V V
Control current: High Low					10 5	μA μA
Ambient operating temperature ^{1,2}	T _{RANGE}		-40	+25	+80	°C
	T _{EXTENDED}		-40		+95	°C

¹ Performance is guaranteed only under the conditions listed in this table.

² In all cases, ambient operating temperature (T_A) is specified relative to case temperature (T_C) and assumes T_A = (T_C - 10 °C). Case temperature (T_C) refers to the temperature of the ground pad at the underside of the package.

Table 4. SKYA21054 RF Electrical Specifications¹ (1 of 2)
(V_{DD} = 2.85 V, T_{OP} = +25 °C, Characteristic Impedance [Z₀] = 50 Ω, Unless Otherwise Noted)

Parameter	Symbol	Test Condition	Min	Typ	Max	Units
Operating frequency	f		0.4		2.7	GHz
Insertion loss	IL	TRX1-3 and 6-7: Up to 960 MHz		0.65	0.8	dB
		1710 to 1980 MHz		0.7	0.9	dB
		1980 to 2690 MHz		0.95	1.15	dB
		TRX 4, 5, and 8: Up to 960 MHz		0.5	0.7	dB
		1710 to 1980 MHz		0.65	0.8	dB
		1980 to 2690 MHz		0.7	0.9	dB
Antenna to any off TRXx port	Iso	Up to 960 MHz	32	35		dB
		1710 to 1980 MHz	22	25		dB
		1980 to 2690 MHz	19	22.5		dB
Return loss	RL	Up to 2.7 GHz: TRX1 to 3	11	15		dB
		TRX4 to 8	16	21		dB
Large signal harmonic	2fo, 3fo	fo = 710 to 915 MHz, all TRXx: PIN = +27 dBm, VSWR = 1:1 PIN = +27 dBm, VSWR = 5:1		-60	-50	dBm
				-55	-45	dBm
		fo = 1710 to 1980 MHz, all TRXx: PIN = +27 dBm, VSWR = 1:1 PIN = +27 dBm, VSWR = 5:1		-65	-55	dBm
				-55	-48	dBm
		fo = 1980 to 2690 MHz, all TRXx: PIN = +27 dBm, VSWR = 1:1 PIN = +27 dBm, VSWR = 5:1		-62	-52	dBm
				-54	-45	dBm

Table 4. SKYA21054 RF Electrical Specifications¹ (2 of 2)
(V_{DD} = 2.85 V, T_{OP} = +25 °C, Characteristic Impedance [Z₀] = 50 Ω, Unless Otherwise Noted)

Parameter	Symbol	Test Condition	Min	Typ	Max	Units
Second order intermodulation distortion	IMD2	See test conditions in Table 5		-110	-100	dBm
Third order intermodulation distortion	IMD3	See test conditions in Table 6		-110	-100	dBm
Triple beat ratio	TBR	See test conditions in Table 7	+51	+81		dBc
Turn-on time	t _{ON}	From application of V _{DD} and V _{IO}			20	μs
Switching speed	t _s	Port to port		2	5	μs

¹ Performance is guaranteed only under the conditions listed in this table.

Table 5. IMD2 Test Conditions

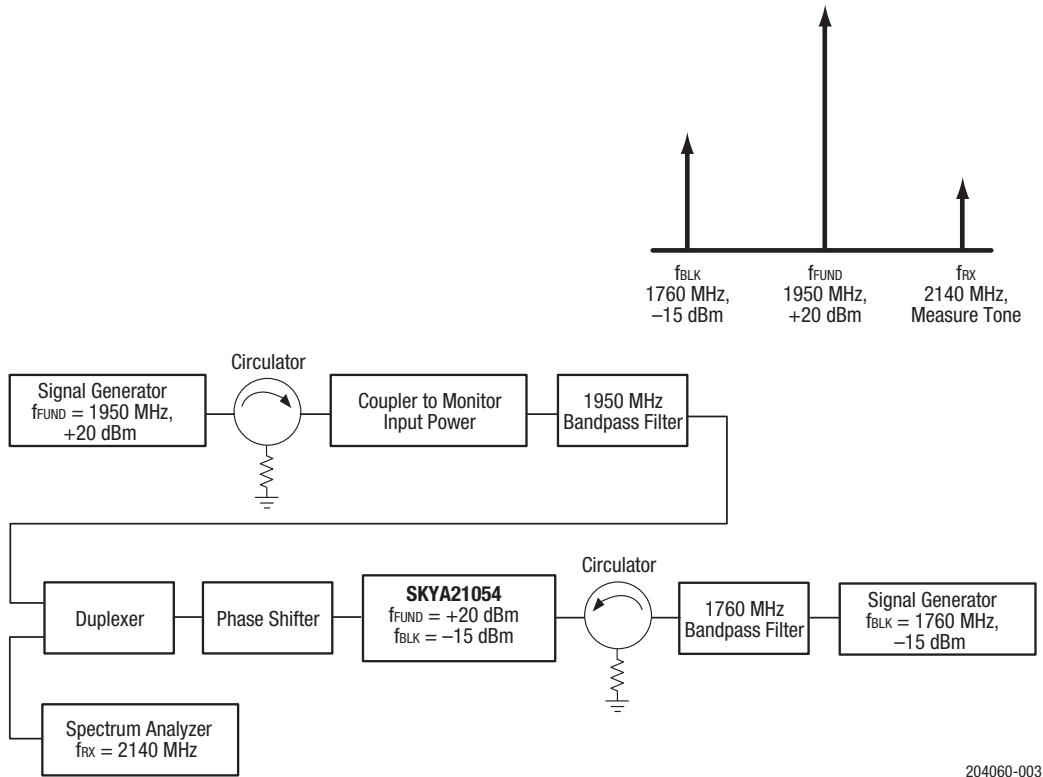
Band	Transmit Frequency (MHz)	Transmit Power (dBm)	Frequency Blocker, Low (MHz)	Frequency Blocker, High (MHz)	Power Blocker (dBm)	Receive Frequency (MHz)
1 (IMT)	1950.0	+20	190	4090	-15	2140.0
2 (PCS)	1880.0		80	3840		1960.0
4 (DCS)	1732.0		400	3864		2132.0
5 (US Cell)	836.5		45	1718		881.5
7 (2600)	2535.0		120	5190		2655.0
8 (900)	897.0		45	1839		942.0

Table 6. IMD3 Test Conditions

Band	Transmit Frequency (MHz)	Transmit Power (dBm)	Frequency Blocker (MHz)	Power Blocker (dBm)	Receive Frequency (MHz)
1 (IMT)	1950.0	+20	1760.0	-15	2140.0
2 (PCS)	1880.0		1800.0		1960.0
4 (DCS)	1732.0		1332.0		2132.0
5 (US Cell)	836.5		791.5		881.5
7 (2600)	2535.0		2415.0		2655.0
8 (900)	897.0		852.0		942.0

Table 7. Triple Beat Ratio Test Conditions

Band	Transmit Frequency 1 (MHz)	Transmit Power 1 (dBm)	Transmit Frequency 2 (MHz)	Transmit Power 2 (dBm)	Frequency Blocker @ ANT (MHz)	Power Blocker (dBm)	TBR Product Frequency (MHz)
2	1880.0	+21.5	1881.0	+21.5	1960.0	-30	1960.0 ±1
5	836.5		837.5		881.5		881.5 ±1



204060-003

Figure 3. Third Order Intermodulation Test Setup

Table 8. Insertion Loss and Return Loss Matrix

On Throw	Frequency (GHz)	IL (dB)	RL_Pole (dB)	RL_Throw (dB)
TRX01	0.96	-0.62	-20	-20
TRX01	1.96	-0.65	-20	-21
TRX01	2.69	-0.82	-17	-20
TRX02	0.96	-0.63	-19	-19
TRX02	1.96	-0.65	-19	-19
TRX02	2.69	-0.85	-16	-18
TRX03	0.96	-0.64	-18	-18
TRX03	1.96	-0.67	-18	-18
TRX03	2.69	-0.95	-14	-15
TRX04	0.96	-0.46	-21	-20
TRX04	1.96	-0.47	-21	-21
TRX04	2.69	-0.52	-24	-22
TRX05	0.96	-0.50	-21	-21
TRX05	1.96	-0.50	-22	-21
TRX05	2.69	-0.55	-26	-21
TRX06	0.96	-0.59	-21	-22
TRX06	1.96	-0.62	-22	-22
TRX06	2.69	-0.70	-23	-22
TRX07	0.96	-0.58	-21	-21
TRX07	1.96	-0.61	-22	-22
TRX07	2.69	-0.69	-23	-22
TRX08	0.96	-0.51	-23	-24
TRX08	1.96	-0.56	-24	-22
TRX08	2.69	-0.61	-21	-18

Table 9. Isolation Matrix ANT to OFF Arms

ANT\OFF ARM	Frequency (GHz)	TRX01	TRX02	TRX03	TRX04	TRX05	TRX06	TRX07	TRX08
ANT	0.96		-45	-39	-52	-45	-51	-52	-42
ANT	1.96		-41	-36	-49	-42	-49	-50	-40
ANT	2.69		-28	-26	-43	-35	-41	-43	-32
ANT	0.96	-48		-44	-51	-46	-52	-52	-42
ANT	1.96	-44		-39	-49	-43	-49	-50	-40
ANT	2.69	-31		-25	-43	-35	-42	-43	-32
ANT	0.96	-51	-49		-50	-47	-52	-53	-42
ANT	1.96	-47	-44		-48	-44	-49	-50	-40
ANT	2.69	-34	-29		-41	-35	-42	-43	-32
ANT	0.96	-47	-43	-39		-54	-58	-56	-43
ANT	1.96	-44	-40	-36		-50	-55	-53	-40
ANT	2.69	-37	-33	-28		-36	-46	-46	-33
ANT	0.96	-46	-42	-38	-46		-59	-66	-43
ANT	1.96	-43	-39	-35	-42		-55	-63	-40
ANT	2.69	-36	-32	-28	-33		-43	-48	-33
ANT	0.96	-45	-41	-37	-58	-44		-40	-44
ANT	1.96	-42	-38	-34	-55	-41		-36	-42
ANT	2.69	-36	-32	-28	-44	-34		-29	-34
ANT	0.96	-45	-41	-37	-55	-44	-45		-43
ANT	1.96	-42	-38	-34	-53	-42	-42		-42
ANT	2.69	-36	-32	-28	-44	-34	-32		-35
ANT	0.96	-45	-41	-37	-54	-45	-50	-40	
ANT	1.96	-42	-38	-34	-52	-42	-47	-38	
ANT	2.69	-36	-32	-28	-42	-35	-38	-30	

Table 10. Isolation Matrix ON Arms to OFF Arms

ANT\OFF ARM	Frequency (GHz)	TRX01	TRX02	TRX03	TRX04	TRX05	TRX06	TRX07	TRX08
TRX01	0.96		-34	-47	-43	-55	-58	-56	-43
TRX01	1.96		-26	-34	-35	-45	-50	-49	-36
TRX01	2.69		-23	-30	-33	-41	-46	-46	-33
TRX02	0.96	-35		-36	-43	-54	-58	-56	-43
TRX02	1.96	-27		-26	-35	-44	-49	-48	-36
TRX02	2.69	-24		-23	-33	-41	-46	-46	-33
TRX03	0.96	-41	-37		-43	-52	-56	-56	-43
TRX03	1.96	-33	-28		-35	-42	-48	-48	-36
TRX03	2.69	-30	-25		-33	-39	-45	-45	-33
TRX04	0.96	-58	-50	-47		-38	-51	-53	-43
TRX04	1.96	-45	-40	-36		-30	-43	-45	-35
TRX04	2.69	-42	-37	-33		-28	-41	-43	-33
TRX05	0.96	-54	-47	-44	-35		-45	-49	-43
TRX05	1.96	-44	-38	-35	-27		-37	-41	-35
TRX05	2.69	-41	-36	-33	-25		-36	-39	-32
TRX06	0.96	-53	-46	-43	-41	-56		-32	-40
TRX06	1.96	-43	-37	-34	-33	-45		-25	-33
TRX06	2.69	-41	-36	-32	-31	-41		-23	-30
TRX07	0.96	-53	-46	-42	-42	-57	-34		-35
TRX07	1.96	-43	-37	-34	-34	-46	-27		-28
TRX07	2.69	-41	-36	-32	-32	-42	-25		-26
TRX08	0.96	-53	-46	-42	-42	-57	-42	-35	
TRX08	1.96	-43	-37	-34	-34	-46	-35	-28	
TRX08	2.69	-41	-35	-32	-32	-42	-33	-26	

Table 11. Command Sequence Bit Definitions

Type	SSC	C11-C8	C7	C6-C5	C4	C3-C0	Parity Bits	BPC	Extended Operation					
									DA7(1)-DA0(1)	Parity Bits	BPC	DA7(n)-DA0(n)	Parity Bits	BPC
Reg0 Write	Y	SA[3:0]	1	Data[6:5]	Data[4]	Data[3:0]	Y	Y	–	–	–	–	–	–
Reg Write	Y	SA[3:0]	0	10	Addr[4]	Addr[3:0]	Y	–	Data[7:0]	–	–	–	Y	Y
Reg Read	Y	SA[3:0]	0	11	Addr[4]	Addr[3:0]	Y	Y	Data[7:0]	–	–	–	Y	Y

Legend:

SSC = Sequence start command DA = Data/address frame bits BC = Byte count (# of consecutive addresses)
 C = Command frame bits BPC = Bus park cycle

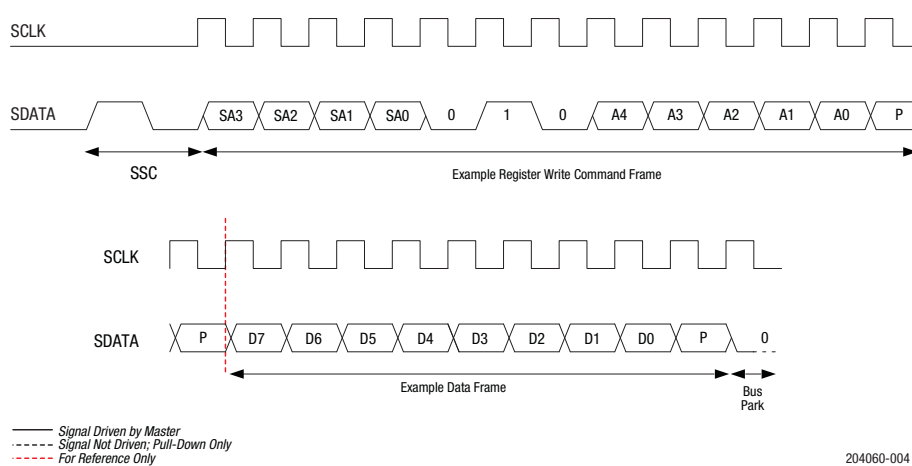


Figure 4. Register Write Command Timing Diagram

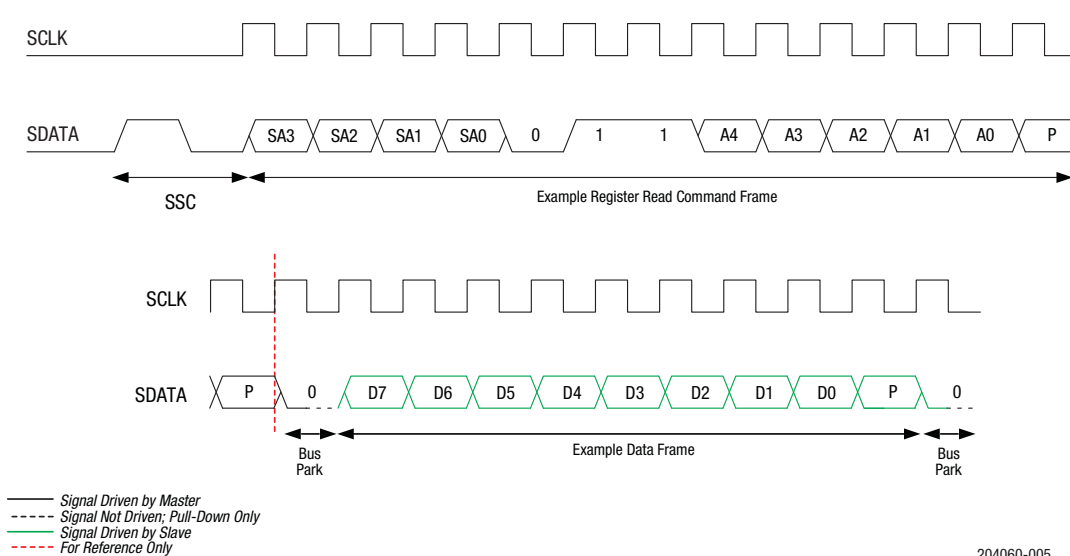


Figure 5. Register Read Command Timing Diagram

Table 12. Register_0 Truth Table

Antenna Path	Register_0 Bits							
	Bit[7]	Bit[6]	Bit[5]	Bit[4]	Bit[3]	Bit[2]	Bit[1]	Bit[0]
Sleep mode (standby)	X	0	0	0	0	0	0	0
TRX1	X	0	0	0	0	1	1	1
TRX2	X	0	0	0	1	0	0	1
TRX3	X	0	0	0	1	0	1	1
TRX4	X	0	0	0	1	0	1	0
TRX5	X	0	0	0	1	0	0	0
TRX6	X	0	0	0	0	0	0	1
TRX7	X	0	0	0	0	0	1	0
TRX8	X	0	0	0	0	0	1	1
Isolation mode (warm-up)	X	1	1	1	1	1	1	1

Table 13. Register Description and Programming (1 of 3)

Register		Parameter	Description	Default (Binary)
Name	Address (Hex)			
Register_0	0000	MODE_CTRL	Bits[7:0]: Switch control. See Table 8 for logic	–
RFFE_STATUS	001A	SOFTWARE RESET	Bit[7]: Resets all data to default values except for USID, GSID, or the contents of the PM_TRIG Register. 0 = Normal operation 1 = Software reset	0
		COMMAND_FRAME_PARITY_ERR	Bit[6]: Command sequence received with parity error – discard command.	0
		COMMAND_LENGTH_ERR	Bit[5]: Command length error.	0
		ADDRESS_FRAME_PARITY_ERR	Bit[4]: Address frame parity error =1.	0
		DATA_FRAME_PARITY_ERR	Bit[3]: Data frame with parity error.	0
		READ_UNUSED_REG	Bit[2]: Read command to an invalid address.	0
		WRITE_UNUSED_REG	Bit[1]: Write command to an invalid address.	0
		BID_GID_ERR	Bit[0]: Read command with a BROADCAST_ID (refer to the <i>MIPI Alliance Specification</i>) or GSID.	0

Table 13. Register Description and Programming (2 of 3)

Register		Parameter	Description	Default (Binary)
Name	Address (Hex)			
GROUP_SID	001B	Reserved	Bits[7:4]: Reserved	0000
		GSID	Bits[3:0]: Group slave ID	0000
PM_TRIG ¹	001C	PWR_MODE	Bits[7:6]: 00 = Normal operation (active) 01 = Default settings (startup) 10 = Low power (low power) 11 = Reserved	00
		Trigger_Mask_2	Bit[5]: If this bit is set, trigger 2 is disabled. When all triggers are disabled, if writing to a register that is associated with trigger 2, the data goes directly to the destination register.	0
		Trigger_Mask_1	Bit[4]: If this bit is set, trigger 1 is disabled. When all triggers are disabled, if writing to a register that is associated with trigger 1, the data goes directly to the destination register.	0
		Trigger_Mask_0	Bit[3]: If this bit is set, trigger 0 is disabled. When all triggers are disabled, if writing to a register that is associated with trigger 0, the data goes directly to the destination register.	0
		Trigger_2	Bit[2]: If this bit is set, data is loaded into the trigger 2 registers.	0
		Trigger_1	Bit[1]: If this bit is set, data is loaded into the trigger 1 registers (unsupported).	0
		Trigger_0	Bit[0]: If this bit is set, data is loaded into the trigger 0 registers (unsupported).	0
PRODUCT_ID	001D	PRODUCT_ID	Bits[7:0]: This is a read-only register. However, during the programming of the Unique Slave Identifier (USID), a write command sequence is performed on this register but the value is not changed.	01011111

Table 13. Register Description and Programming (3 of 3)

Register		Parameter	Description	Default (Binary)
Name	Address (Hex)			
MANUFACTURER_ID	001E	MANUFACTURER_ID	Bits[7:0]: Read-only register	10100101
MAN_USID	001F	Reserved	Bits[7:6]: Reserved	00
		MANUFACTURER_ID	Bits[5:4]: Read-only register	01
		USID	Bits[3:0]: Programmable USID. A write to these bits programs the USID.	1010

¹ Unlike the complete independence between triggers 0, 1, and 2, and also between the associated trigger masks 0, 1, and 2, respectively, as described in the MIPI RFFE Specification, this device uses additional interactions between the provided trigger functions.

The delayed application of updated data to all triggerable registers in this device may be accomplished using any of the three triggers (0, 1, or 2), provided that the particular trigger used is not currently masked off. If multiple triggers are enabled, any or all of those are sufficient to cause the data to be transferred from shadow registers to destination registers for all triggerable registers in the device.

It is also necessary to disable all three triggers (i.e., set all three trigger masks) to ensure that data written to any triggerable register will immediately be written to the destination register at the conclusion of the RFFE command sequence where the data is written.

Evaluation Board Description

The SKYA21054 Evaluation Board is used to test the performance of the SKYA21054 SP8T Switch. An Evaluation Board schematic diagram is provided in Figure 6. A recommended ESD protection circuit diagram is provided in Figure 7. An assembly drawing for the Evaluation Board is shown in Figure 8.

Package Dimensions

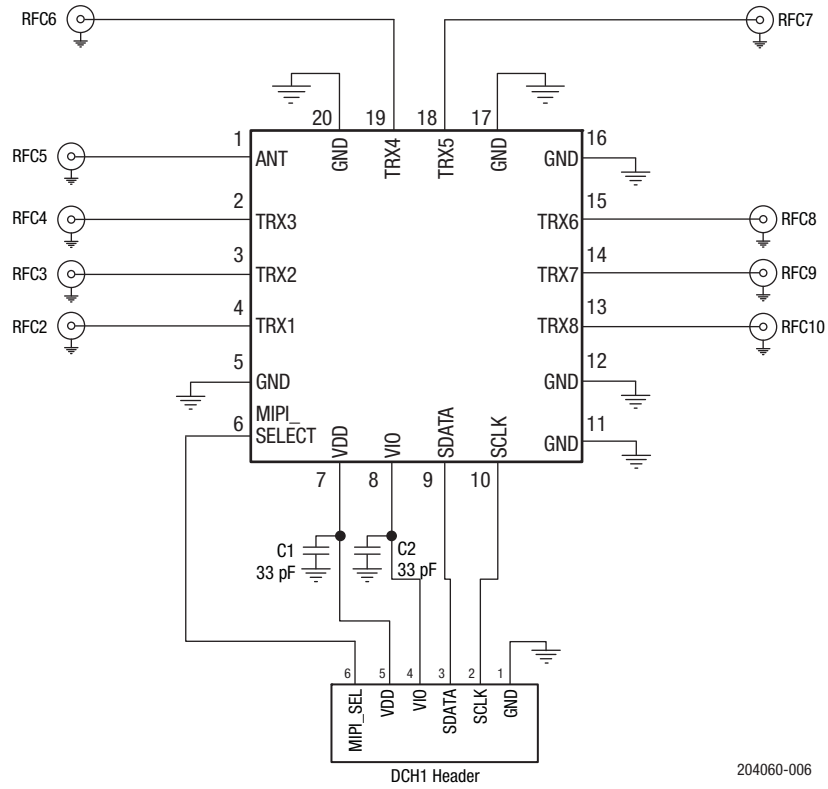
The PCB layout footprint for the SKYA21054 is provided in Figure 9. Typical part markings are shown in Figure 10. Package dimensions are shown in Figure 11, and tape and reel dimensions are provided in Figure 12.

Package and Handling Information

Instructions on the shipping container label regarding exposure to moisture after the container seal is broken must be followed. Otherwise, problems related to moisture absorption may occur when the part is subjected to high temperature during solder assembly.

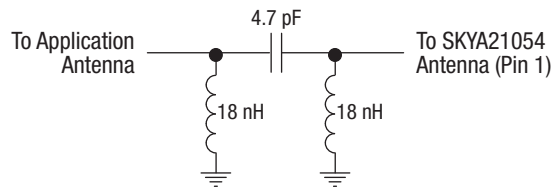
The SKYA21054 is rated to Moisture Sensitivity Level 1 (MSL1) at 260 °C. It can be used for lead or lead-free soldering. For additional information, refer to the Skyworks Application Note, *Solder Reflow Information*, document number 200164.

Care must be taken when attaching this product, whether it is done manually or in a production solder reflow environment. Production quantities of this product are shipped in a standard tape and reel format.

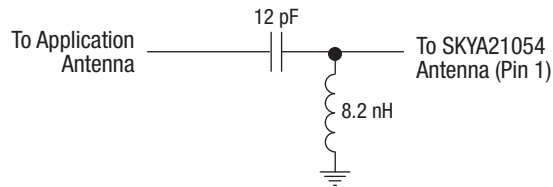


204060-006

Figure 6. SKYA21054 Evaluation Board Schematic



ESD Circuit 1



ESD Circuit 2

204060-007

Figure 7. SKYA21054 Recommended ESD Protection Circuits

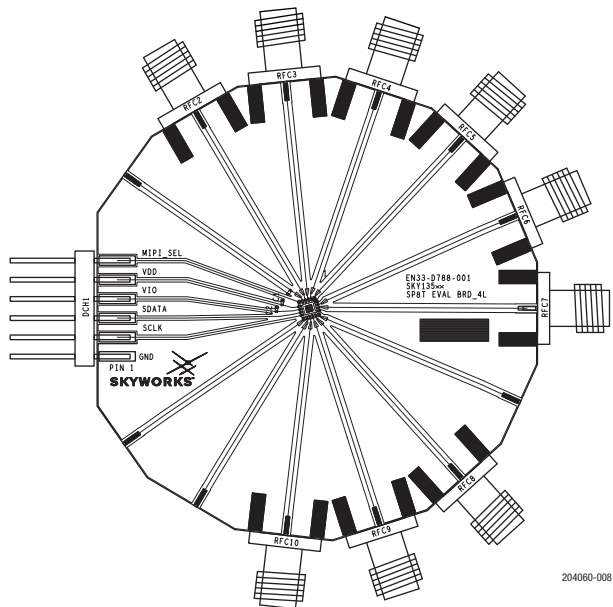


Figure 8. SKYA21054 Evaluation Board Assembly Diagram

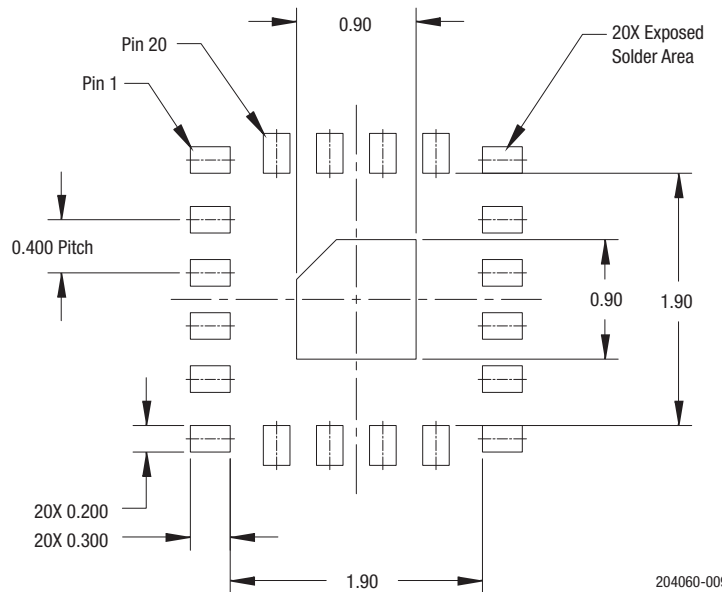


Figure 9. SKYA21054 PCB Layout Footprint (Top View)

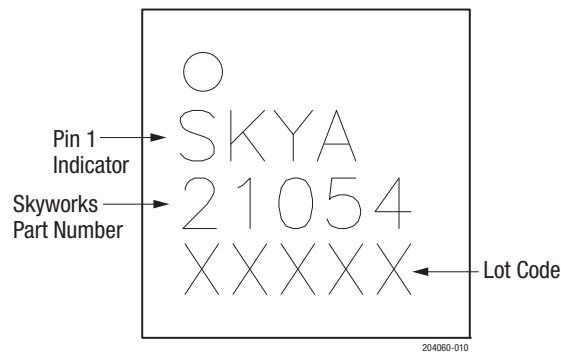
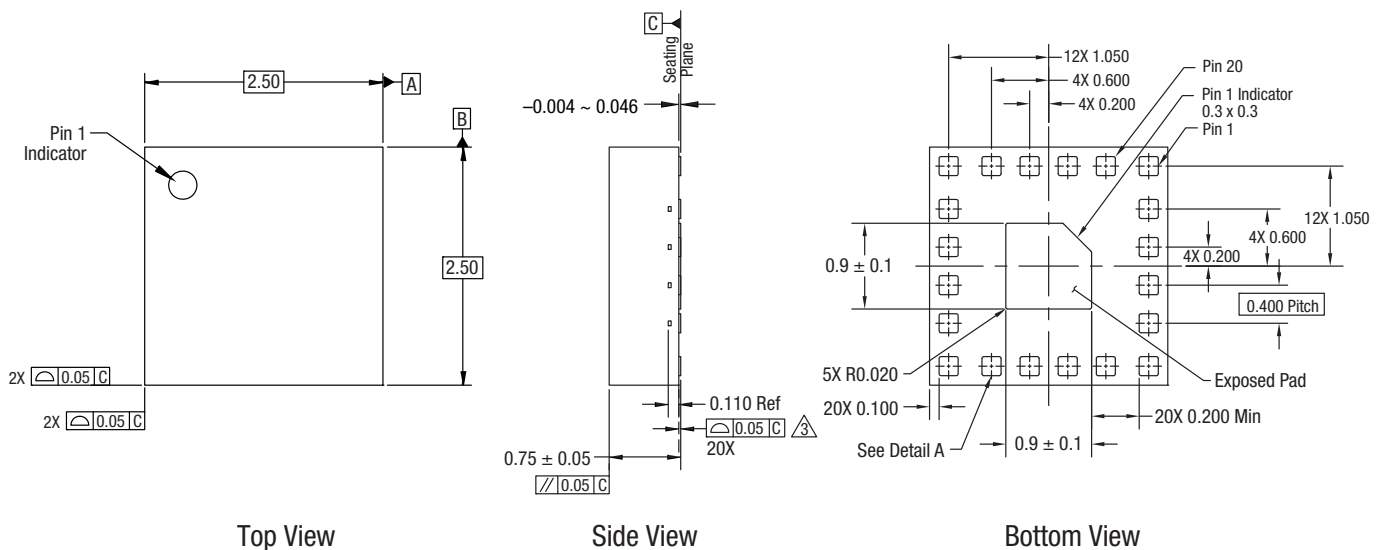
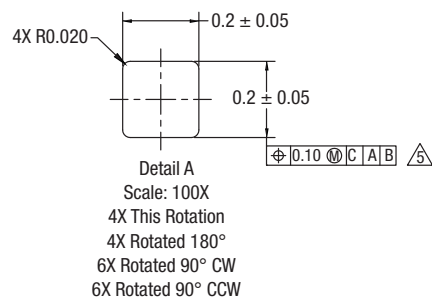


Figure 10. Typical Part Markings (Top View)



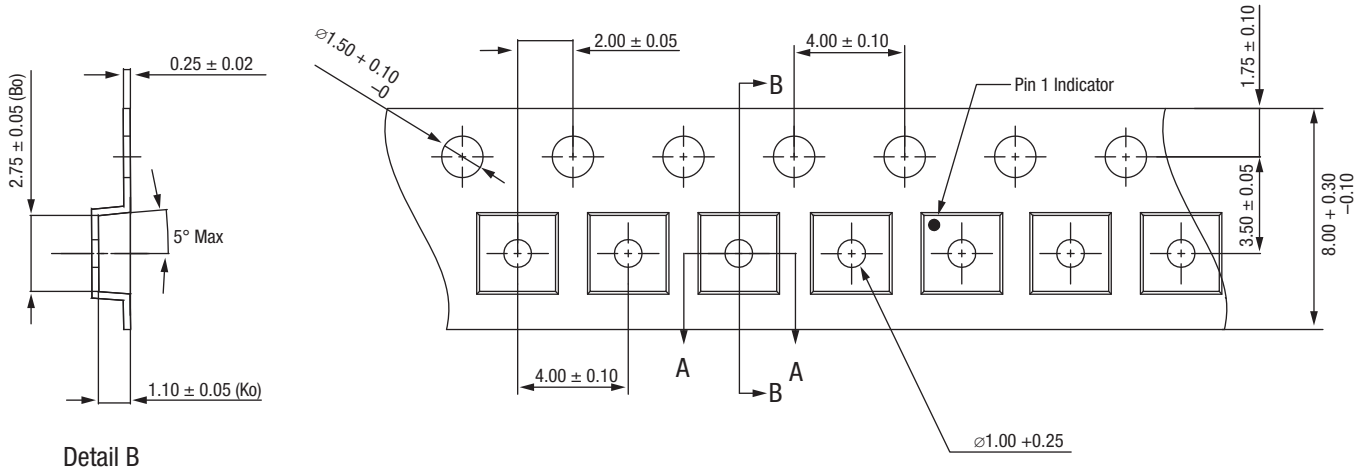
Notes:

1. Dimensions and tolerances according to ASME Y14.5M-1994.
2. All measurements are in millimeters.
3. Coplanarity applies to the terminals and all other bottom surface metallization.
4. Plating requirement per source control drawing 2504.
5. Dimension applies to metallized terminal. If the terminal has a radius on its end, the width dimension should not be measured in that radius area.



204060-011

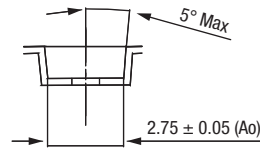
Figure 11. SKYA21054 Package Dimensions



Detail B

Notes:

1. Carrier tape: black conductive polycarbonate or polystyrene.
2. Cover tape material: transparent conductive.
3. ESD-surface resistivity shall be $\leq 1 \times 10^{10} \Omega/\text{square}$ per EIA, JEDEC TNR Specification.
4. 10-sprocket hole pitch cumulative tolerance: ± 0.20 mm.
5. Ao and Bo measurement point to be 0.30 mm from bottom pocket.
6. All dimensions are in millimeters.



Detail A

204060-012

Figure 12. SKYA21054 Tape and Reel Dimensions

Ordering Information

Model Name	Manufacturing Part Number	Evaluation Board Part Number
SKYA21054: Automotive 0.4 to 2.7 GHz SP8T Diversity Switch with MIPI Interface	SKYA21054	EN33-D788-001

Copyright © 2016-2017 Skyworks Solutions, Inc. All Rights Reserved.

Information in this document is provided in connection with Skyworks Solutions, Inc. (“Skyworks”) products or services. These materials, including the information contained herein, are provided by Skyworks as a service to its customers and may be used for informational purposes only by the customer. Skyworks assumes no responsibility for errors or omissions in these materials or the information contained herein. Skyworks may change its documentation, products, services, specifications or product descriptions at any time, without notice. Skyworks makes no commitment to update the materials or information and shall have no responsibility whatsoever for conflicts, incompatibilities, or other difficulties arising from any future changes.

No license, whether express, implied, by estoppel or otherwise, is granted to any intellectual property rights by this document. Skyworks assumes no liability for any materials, products or information provided hereunder, including the sale, distribution, reproduction or use of Skyworks products, information or materials, except as may be provided in Skyworks Terms and Conditions of Sale.

THE MATERIALS, PRODUCTS AND INFORMATION ARE PROVIDED “AS IS” WITHOUT WARRANTY OF ANY KIND, WHETHER EXPRESS, IMPLIED, STATUTORY, OR OTHERWISE, INCLUDING FITNESS FOR A PARTICULAR PURPOSE OR USE, MERCHANTABILITY, PERFORMANCE, QUALITY OR NON-INFRINGEMENT OF ANY INTELLECTUAL PROPERTY RIGHT; ALL SUCH WARRANTIES ARE HEREBY EXPRESSLY DISCLAIMED. SKYWORKS DOES NOT WARRANT THE ACCURACY OR COMPLETENESS OF THE INFORMATION, TEXT, GRAPHICS OR OTHER ITEMS CONTAINED WITHIN THESE MATERIALS. SKYWORKS SHALL NOT BE LIABLE FOR ANY DAMAGES, INCLUDING BUT NOT LIMITED TO ANY SPECIAL, INDIRECT, INCIDENTAL, STATUTORY, OR CONSEQUENTIAL DAMAGES, INCLUDING WITHOUT LIMITATION, LOST REVENUES OR LOST PROFITS THAT MAY RESULT FROM THE USE OF THE MATERIALS OR INFORMATION, WHETHER OR NOT THE RECIPIENT OF MATERIALS HAS BEEN ADVISED OF THE POSSIBILITY OF SUCH DAMAGE.

Skyworks products are not intended for use in medical, lifesaving or life-sustaining applications, or other equipment in which the failure of the Skyworks products could lead to personal injury, death, physical or environmental damage. Skyworks customers using or selling Skyworks products for use in such applications do so at their own risk and agree to fully indemnify Skyworks for any damages resulting from such improper use or sale.

Customers are responsible for their products and applications using Skyworks products, which may deviate from published specifications as a result of design defects, errors, or operation of products outside of published parameters or design specifications. Customers should include design and operating safeguards to minimize these and other risks. Skyworks assumes no liability for applications assistance, customer product design, or damage to any equipment resulting from the use of Skyworks products outside of stated published specifications or parameters.

Skyworks and the Skyworks symbol are trademarks or registered trademarks of Skyworks Solutions, Inc., in the United States and other countries. Third-party brands and names are for identification purposes only, and are the property of their respective owners. Additional information, including relevant terms and conditions, posted at www.skyworksinc.com, are incorporated by reference.